



SOLSKÄRM **SOLOVENT**

Profilsystem för fast eller rörlig solavskärmning för kontorshus, industrilokaler, offentliga byggnader, m m. Systemet kan även användas som fasad- och ventilationsgaller.

ELISSI

SOLOVENT SOLSKÄRMAR

PRODUCT DESCRIPTION

Solovent DLB 100, 200 and 300. System of extruded aluminum profiles. Fittings of extruded aluminum, alternatively special fittings made of hot-dip galvanized or stainless steel. Stainless steel construction screws, fixing hot-dip galvanized or stainless steel screws.

INSTALLATION OPTIONS

The system's slats can be mounted as fixed or moving motorized units. For motor operation the system can be provided with automatic closing and opens the slats according to the sun's influence.

APPEARANCE

The profiles are supplied natural anodised but can also be painted in the desired color according to RAL.

Nature

FORM

The slats are usually mounted vertically on the facade, with horizontal or vertical slats. The support structure can be provided with walkways, to facilitate e.g. window cleaning.

MAINTENANCE AND CLEANING

The product can be high pressure washed with water. In winter, supervision should be kept on the slats so that any major accumulation of snow is removed. This is especially important if snow occurs between motorized slats.

MEASURE

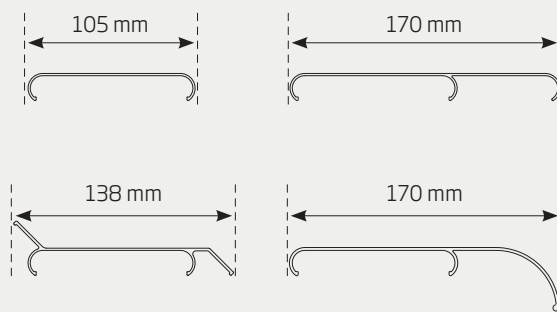
DLB 100: Slat 100 mm x 22 mm x 1,6 mm

Length between supports 1600 mm

DLB 200: Slat 200 mm x 36 mm x 2,0 mm Length between supports 3000 mm

DLB 300: Slat 300 mm x 50 mm x 2,0 mm Length between supports 3600 mm

Solovent CL



Solovent DL

